

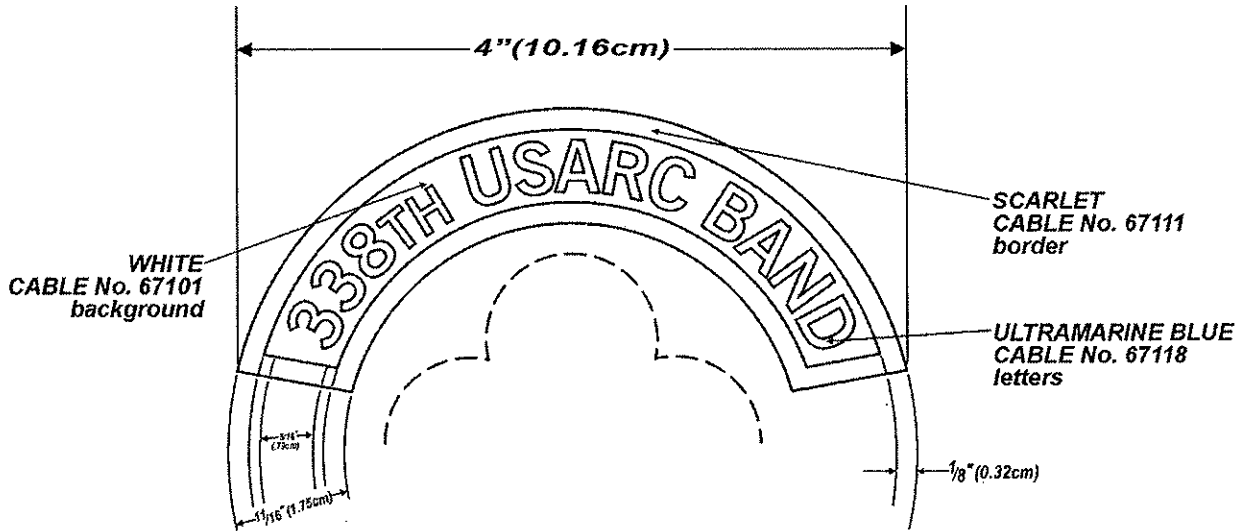
**FOR SUBDUED TAB**

**ACU:**

RED AND BLUE AREAS TO BE BLACK 67138.  
WHITE AREA TO BE FOLIAGE GREEN 67202.

**REVISIONS**

LTR	DESCRIPTION	DATE	APPROVED
-----	-------------	------	----------



**DESIGNED FOR OVEREDGE STITCHING**  
**STITCH COUNT**

**SUPERCEDES TIOH DWG. No. A-1-1032 DTD. 28 JULY 2010**

UNLESS OTHERWISE SPECIFIED DIMENSIONS ARE IN INCHES TOLERANCES ON FRACTIONS DECIMALS ANGLES

**MATERIALS:**  
TO BE MANUFACTURED IN ACCORDANCE WITH MIL-DTL-14652

THE INSTITUTE OF HERALDRY, DEPARTMENT OF THE ARMY  
9325 GUNSTON RD. S-110 FORT BELVOIR, VA 22060-5579

EXAMINED	TLC	
CHECKED	pm	SAO
PREPARED	CA	

**TAB**  
**338TH USARC BAND**

APPROVED  
*Charles V. Mugno*  
CHARLES V. MUGNO  
DIRECTOR

SIZE	CONTROL IDENT. NO	
<b>A</b>	<b>22571</b>	<b>A - 1 - 1032</b>

SCALE	DATE
FULL	7 AUGUST 2012

165893F  
165893C  
165893H